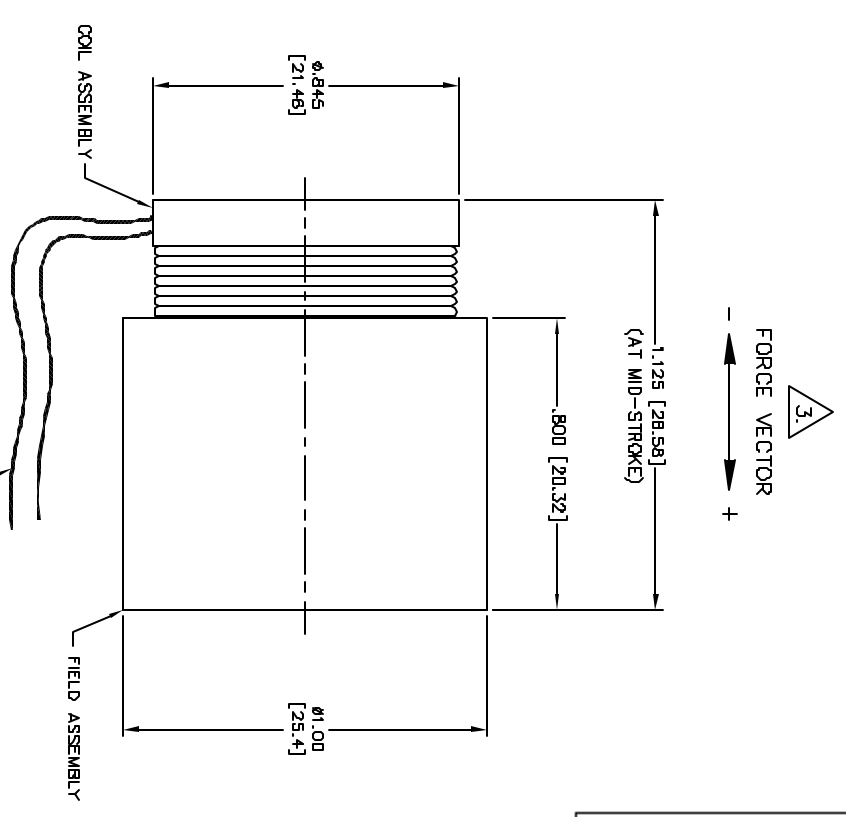
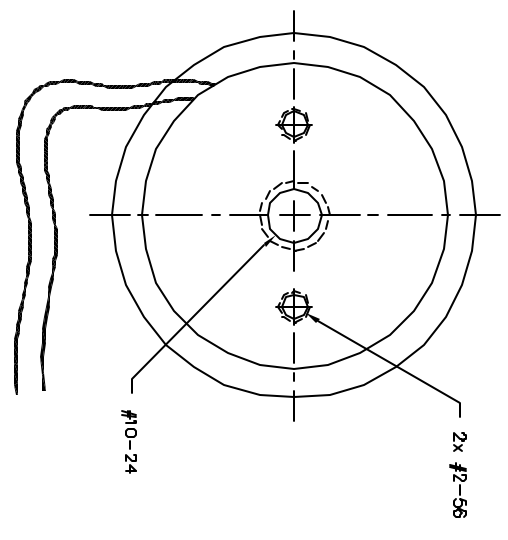


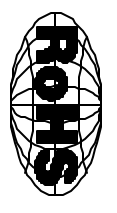
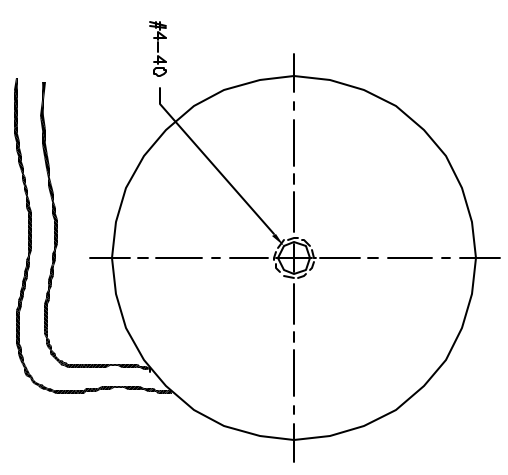
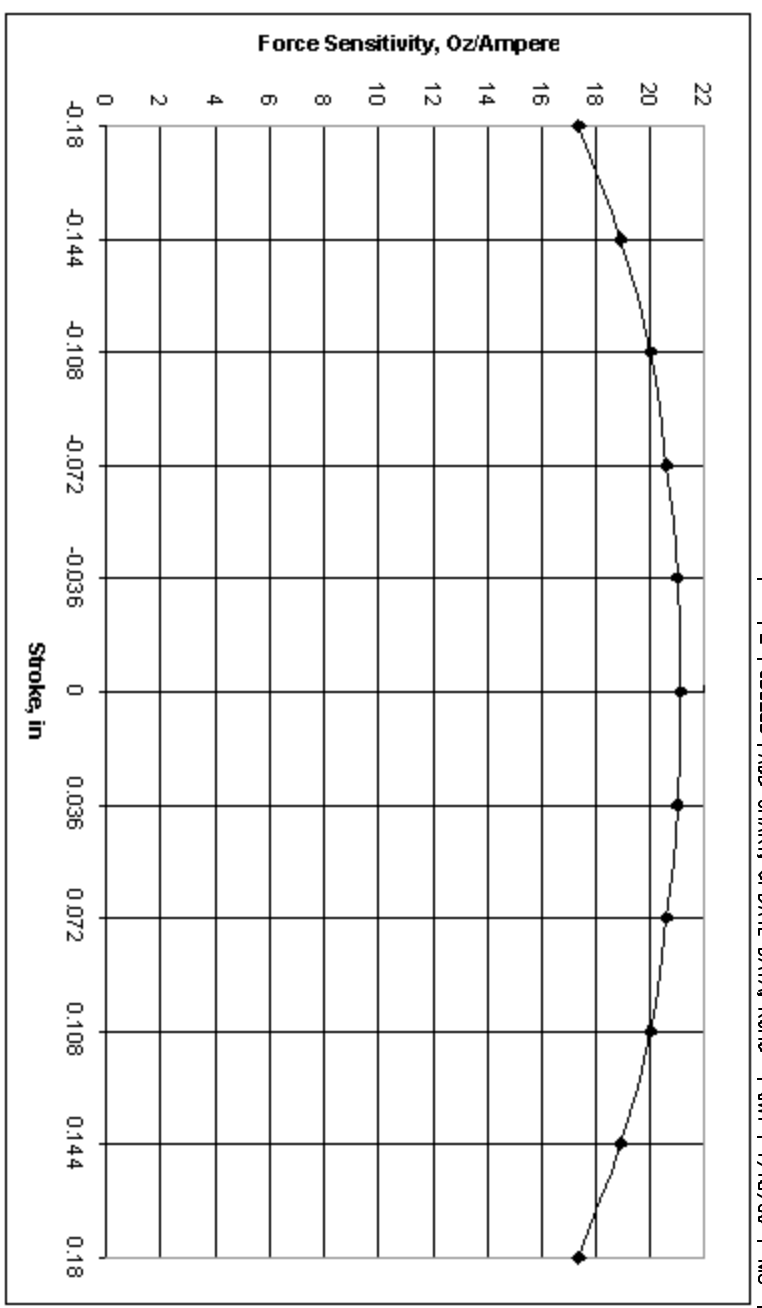
| WINDING CONSTANTS * | UNITS | TOL | SYMBOL | WDG A |
|--------------------------|-------------|---------|----------------|-------|
| DC RESISTANCE | OHMS | ±12.5% | R | 11.0 |
| VOLTAGE @ F _p | VOLTS | NOMINAL | V _p | 25.1 |
| CURRENT @ F _p | AMPERES | NOMINAL | I _p | 2.28 |
| FORCE SENSITIVITY | OZ/AMP | ±10% | K _F | 21.1 |
| BACK EMF CONSTANT | V/FT/SEC | ±10% | K _B | 5.87 |
| | V/M/SEC | ±10% | | 1.79 |
| INDUCTANCE **** | MILLI-HENRY | ±15% | L | 5.87 |
| | | | | 3.05 |

| ACTUATOR PARAMETERS * | UNITS | SYMBOL | VALUE |
|---------------------------------------|-----------|-----------------|-------|
| PEAK FORCE ** | OZ | F _p | 48 |
| | N | | 13.3 |
| CONTINUOUS STALL FORCE *** | OZ | F _{CS} | 17.8 |
| | N | | 4.95 |
| ACTUATOR CONSTANT | OZ/1WATT | K _A | 6.36 |
| | N/1WATT | | 1.77 |
| ELECTRICAL TIME CONSTANT | MICRO-SEC | T _e | 277 |
| MECHANICAL TIME CONSTANT | MILLI-SEC | T _m | 4.43 |
| POWER I _p @ F _p | WATTS | P _p | 57.2 |
| | ± MM | | 0.180 |
| STROKE | ± MM | | 4.57 |
| | IN | | 0.015 |
| CLEARANCE ON EACH SIDE OF COIL | MM | | 0.38 |
| THEMAL RESISTANCE OF COIL | °C/WATT | θ _{JH} | 11.3 |
| MAX. ALLOWABLE COIL TEMP | °C | T _C | 155 |
| WEIGHT OF COIL ASSEMBLY | OZ | WT _C | 0.49 |
| | G | | 13.89 |
| WEIGHT OF FIELD ASSEMBLY | OZ | WT _F | 2.0 |
| | G | | 56.7 |

* 25°C AMBIENT TEMPERATURE
 ** 10 SECONDS AT 25°C AMBIENT & 155°C COIL TEMP
 *** 25°C AMBIENT & 155°C WINDING TEMPERATURE
 **** MEASURED AT 1000 HZ

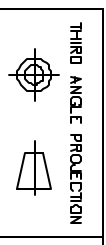


2X LEAD WIRE: #28 AWG
 COONER WIRE, AS-155
 12.0 [305] MIN. LONG
 (RED, BLACK)



4. INSULATION RESISTANCE IS 100 MEGOHMS AT 500 VDC.

3. A POSITIVE (+) VOLTAGE APPLIED TO THE RED LEAD WILL PRODUCE A FORCE ON THE COIL ASSEMBLY IN THE POSITIVE (+) DIRECTION.
- DIMENSION IN BRACKETS ARE MILLIMETERS [MM] AND ARE FOR REFERENCE ONLY.
 - INTERPRET DIMENSIONS & TOLERANCES PER ASME Y14.5M-1994.
- NOTES: UNLESS OTHERWISE SPECIFIED



THIRD ANGLE PROJECTION
 UNLESS OTHERWISE SPECIFIED:
 -ALL DIMENSIONS ARE IN INCHES
 -DIMENSIONS ARE AFTER FINISH
 -DID NOT SCALE DRAWING

TOLERANCES:
 DECIMALS ± 0.010
 ANGULAR ± 0.10°
 X ± 0.015
 .XX ± 0.01
 .XXX ± 0.005

BEI LINCO MAGNETICS DIVISION
 VISTA, CA 92081

LINEAR ACTUATOR

| REV | DATE | BY | CHKD | APP'D | DESCRIPTION |
|--------|----------|----------|------|-------|---------------------------------|
| 021189 | 02/24/05 | P. STAHL | | | UPDATE TO DUAL DIM. TITLE BLOCK |
| 050169 | 02/24/05 | | | | LEAD WIRE CHANGE |
| 080255 | 02/24/05 | | | | ADD CHART. UPDATE DATA, ROHS |

| FORM NO. | ISSUED | REV | DATE | BY | CHKD | APP'D |
|----------|--------------|-----|------|----|------|-------|
| 55789 | LA10-12-027A | 1 | 4/1 | | | |