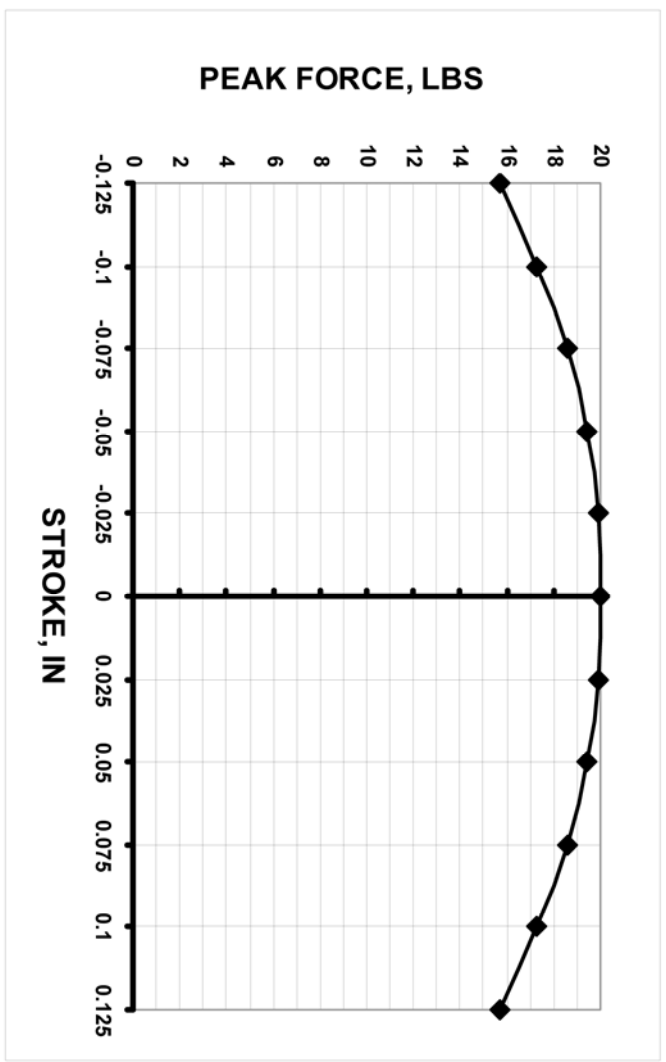


LTR	ECO NO.	DESCRIPTION	DNR	APP'D	DATE
F	050248	UPDATE TOL. TO .XXX=.005"	ASK	PS	04/04/05
G	060142	ADD ROHS LOGO	SLM	MG	02/16/06
H	060901	ADDED WINDING B TO WINDING CONSTANTS	RG	MG	11/16/06

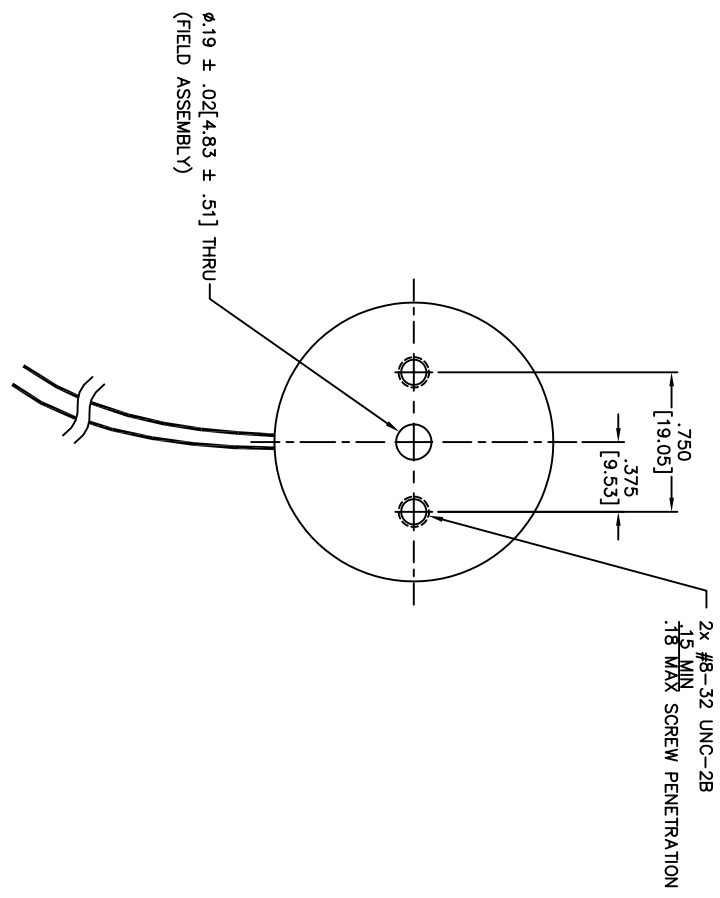
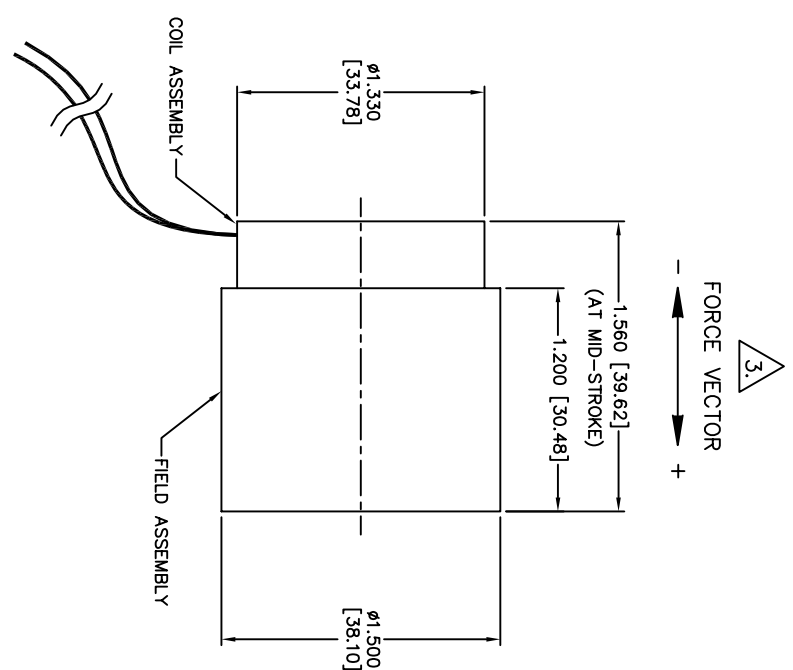
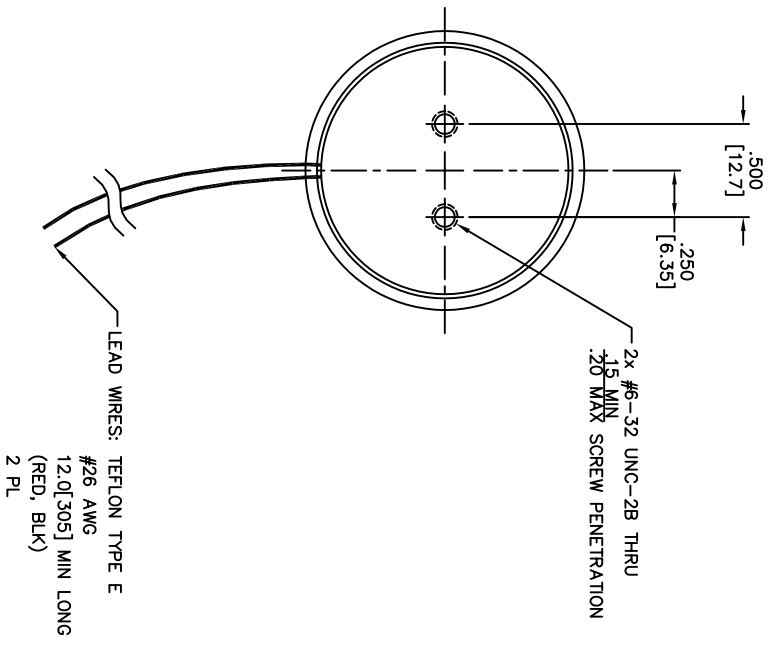
LA15-16-024(LTR) H

WINDING CONSTANTS *	UNITS	TOL	SYMBOL	WDG A	WDG B
DC RESISTANCE	OHMS	±12.5%	R	4.7	15.0
VOLTAGE @ Fp	VOLTS	NOMINAL	Vp	33.0	58.6
CURRENT @ Fp	AMPERES	NOMINAL	Ip	7.02	3.91
FORCE SENSITIVITY	LB/AMP	±10%	Kf	2.85	5.12
BACK EMF CONSTANT	V/FT/SEC	±10%	Kb	12.68	22.77
INDUCTANCE ****	V/M/SEC	±10%	Kb	3.86	6.94
	MILLI-HENRY	±30%	L	12.68	22.77
				1.25	4.05

ACTUATOR PARAMETERS *	UNITS	SYMBOL	VALUE
PEAK FORCE **	LB	Fp	20.0
CONTINUOUS STALL FORCE ***	LB	Fcs	89.0
	N		5.5
	LB		24.47
ACTUATOR CONSTANT	LB/-WATT	Ka	1.31
ELECTRICAL TIME CONSTANT	N/-WATT	Te	5.83
MECHANICAL TIME CONSTANT	MILLI-SEC	Tm	270
POWER (P R @ Fp)	WATTS	Pp	1.28
STROKE	± INCHES		0.125
	± MM		3.18
CLEARANCE ON EACH SIDE OF COIL	IN		0.018
	MM		0.46
THERMAL RESISTANCE OF COIL	°C/WATT		5.0
MAX. ALLOWABLE COIL TEMP.	°C	TEMP	155
WEIGHT OF COIL ASSEMBLY	OZ	WTc	1.55
	G		43.94
WEIGHT OF FIELD ASSEMBLY	OZ	WTf	6.5
	G		184.27



* 25°C AMBIENT TEMPERATURE
 ** 10 SECONDS AT 25°C AMBIENT & 155°C COIL TEMP
 *** 25°C AMBIENT & 155°C WINDING TEMPERATURE
 **** MEASURED AT 1000 Hz



- MECHANICAL OVERTRAVEL IN THE POSITIVE (+) DIRECTION IS .015[.38] MINIMUM.
- INSULATION RESISTANCE IS 100 MEGOHMS MINIMUM AT 500 VDC.
- A POSITIVE (+) VOLTAGE APPLIED TO THE RED LEAD WILL PRODUCE A FORCE ON THE COIL ASSEMBLY IN THE NEGATIVE (-) DIRECTION.
- DIMENSION IN BRACKETS ARE MILLIMETERS [MM] AND ARE FOR REFERENCE ONLY.
- INTERPRET DIMENSIONS & TOLERANCES PER ASME Y14.5M-1994.

Proprietary rights of BEI Kinco are involved in the subject matter of this material and all manufacturing, reproduction, use, or distribution of this material without the express written consent of BEI Kinco is prohibited. This document is the property of BEI Kinco and the recipient is to use it only for the purpose intended. The recipient agrees to return this material to BEI Kinco upon request. If this material is used, copied, or reproduced in any manner, the user agrees to indemnify and hold BEI Kinco harmless from and against all claims, damages, and expenses, including reasonable attorneys' fees, that may be asserted against or incurred by BEI Kinco in connection with this material, in any manner or to any person except to the extent that the user can prove that the user was not negligent.

THIRD ANGLE PROJECTION		UNLESS OTHERWISE SPECIFIED	
ALL DIMENSIONS ARE IN UNITS OF INCHES		DIMENSIONS APPLY AFTER FINISH	
TOLERANCES		SURFACE FINISH	
DECIMAL	FRACTIONAL	APPROXIMATE	FINISH
.XX ± .01	XX/64 ± .001	12.5	125
.XX ± .005	XX/128 ± .0005	12.5	125
.XX ± .001	XX/128 ± .0001	12.5	125
DO NOT SCALE DRAWING			

BEI KIMCO MAGNETICS DIVISION
 VISTA, CA 92081



LA15-16-024(LTR) H