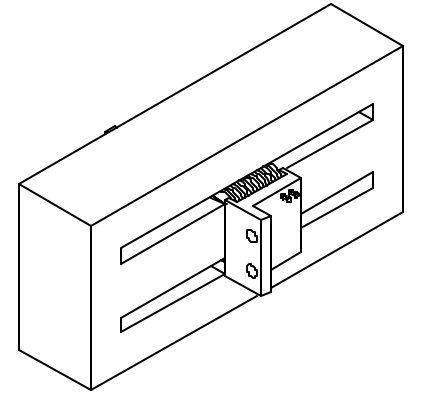
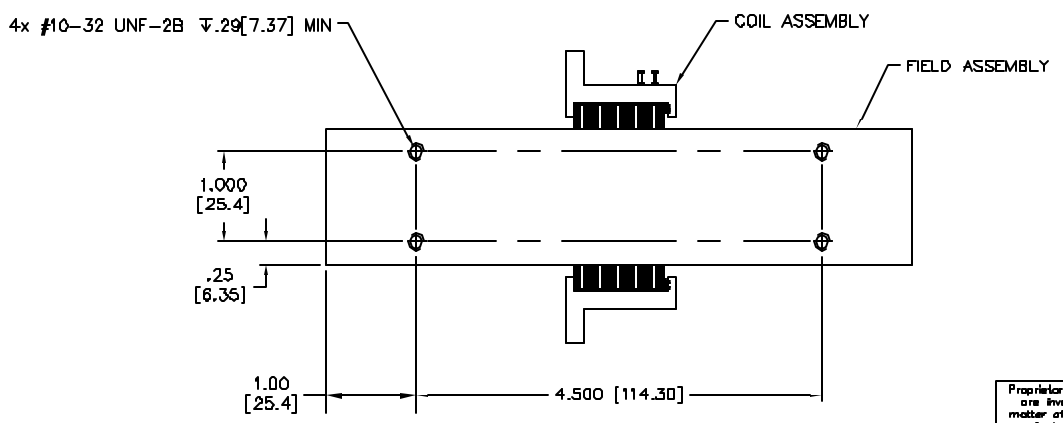
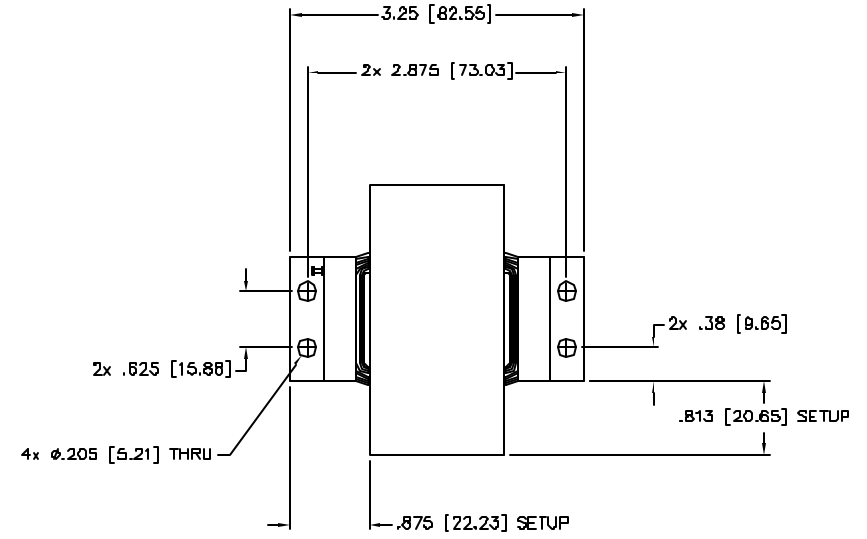
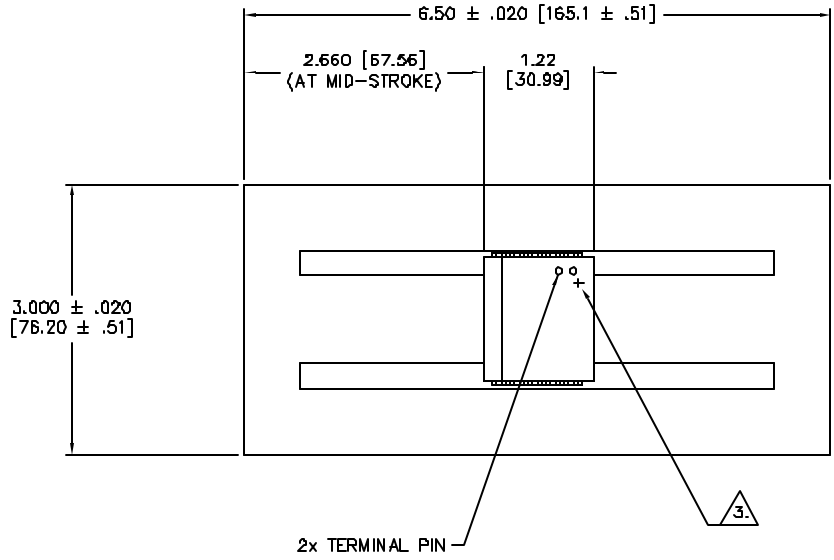
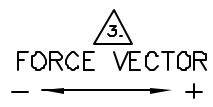
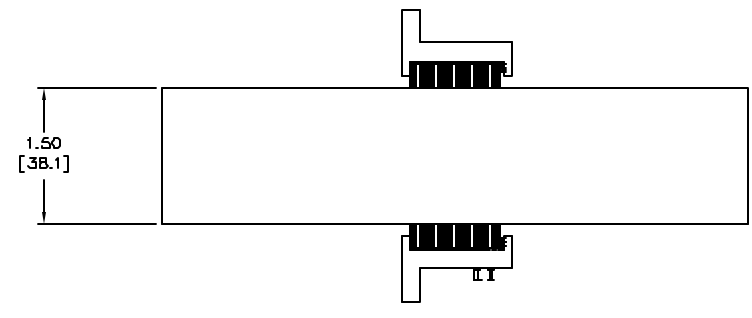


WINDING CONSTANTS *	UNITS	TOL	SYMBOL	A
DC RESISTANCE	OHMS	±12.5%	R	5.4
VOLTAGE @ F _P	VOLTS	NOMINAL	V _P	38.6
CURRENT @ F _P	AMPERES	NOMINAL	I _P	7.14
FORCE SENSITIVITY	LB/AMP	±10%	K _F	2.1
	N/AMP	±10%		9.34
BACK EMF CONSTANT	V/FT/SEC	±10%	K _B	2.85
	V/M/SEC	±10%		9.35
INDUCTANCE <small>not spec</small>	MILLI-HENRY	±30%	L	11.2

ACTUATOR PARAMETERS *	UNITS	SYMBOL	VALUE
PEAK FORCE **	LB	F _P	15.0
	N		66.7
CONTINUOUS STALL FORCE ***	LB	T _{CS}	4.25
	N		18.9
ACTUATOR CONSTANT	LB/√WATT	K _A	0.90
	N/√WATT		4.0
ELECTRICAL TIME CONSTANT	MILLI-SEC	τ _E	2.07
MECHANICAL TIME CONSTANT	MILLI-SEC	τ _M	5.2
POWER I ² R @ F _P	WATTS	P _P	278
STROKE	± INCHES		2.00
	± MM		50.8
CLEARANCE ON EACH SIDE OF COIL	IN		0.015
	MM		0.38
THERMAL RESISTANCE OF COIL	°C/WATT	θ _{TH}	3.9
MAX. ALLOWABLE COIL TEMP.	°C	TEMP	155
WEIGHT OF COIL ASSEMBLY	LB	WT _C	0.185
	G		83.9
WEIGHT OF FIELD ASSEMBLY	LB	WT _F	7.2
	KG		3.3

* AT MID-STROKE & 25°C AMBIENT TEMPERATURE
 ** 10 SECONDS AT 25°C AMBIENT & 155°C COIL TEMPERATURE
 *** 25°C AMBIENT & 155°C COIL TEMPERATURE
 **** MEASURED AT 1000 Hz

TR	EDD NO.	DESCRIPTION	DRN	APP'D	DATE
F	07D068	ADDED RoHS LOGO	RG	MB	02/07/07
G	07D212	CHG'D UNITS FOR ELECT. CONST. FROM MICRO-SEC	JWT	NG	4/17/07



3. A POSITIVE (+) VOLTAGE APPLIED TO THE TERMINAL MARKED "+" WILL PRODUCE A FORCE ON THE COIL ASSEMBLY IN THE POSITIVE (+) DIRECTION.
2. DIMENSION IN BRACKETS ARE METRIC [mm] AND ARE FOR REFERENCE ONLY.
1. INTERPRET DIMENSIONS & TOLERANCES IAW ASME Y14.5M-1994.
- NOTES: UNLESS OTHERWISE SPECIFIED

Proprietary rights of BEI Kimco are involved in the subject matter of this material and all manufacturing, reproduction, use, and sales pertaining to such subject matter are expressly reserved. This confidential and proprietary document is submitted for a specified purpose, and the recipient by accepting this material agrees that this material will not be used, copied, or reproduced in whole or in part nor the contents revealed in any manner or to any person except to meet the purpose for which it was prepared.

THIRD ANGLE PROJECTION

UNLESS OTHERWISE SPECIFIED:
 -ALL DIMENSIONS ARE IN UNITS
 -BREAK SHARP EDGES 1/32 MAX.
 -SURFACE RELIANCE \sqrt{Ra}
 -DIMENSIONS APPLY AFTER FINISH
 -MAX FILLET R FILLET

TOLERANCES
 DECIMALS ANGULAR
 X ± .03 30°
 .00X ± .005
 DO NOT SCALE DRAWING

BEI KIMCO MAGNETICS DIVISION
 VISTA, CA 92081

DRAWN	FRENCH	DATE	08/30/99	TITLE	LINEAR ACTUATOR
MECH CHECK	GUERRERO	DATE	07/11/06	SIZE	D
APP'D	GODKIN	DATE	12/22/99	FSCM NO.	55789
FILE NO.	L:\TOP LEVEL\LA\...	DWG NO.	LA15-65-000A	REV	G
SCALE	1/1	SHEET	1 OF 1		

RoHS

LA15-65-000A G