

4

3

2

LA16-19-001A

J

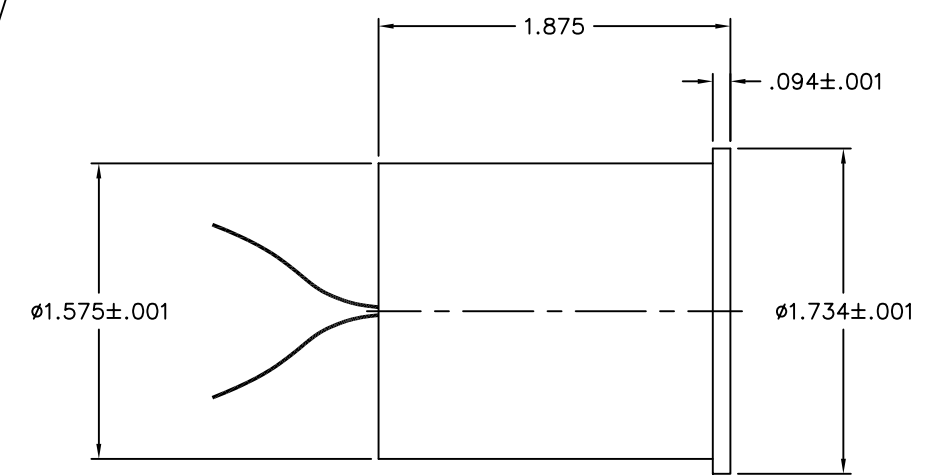
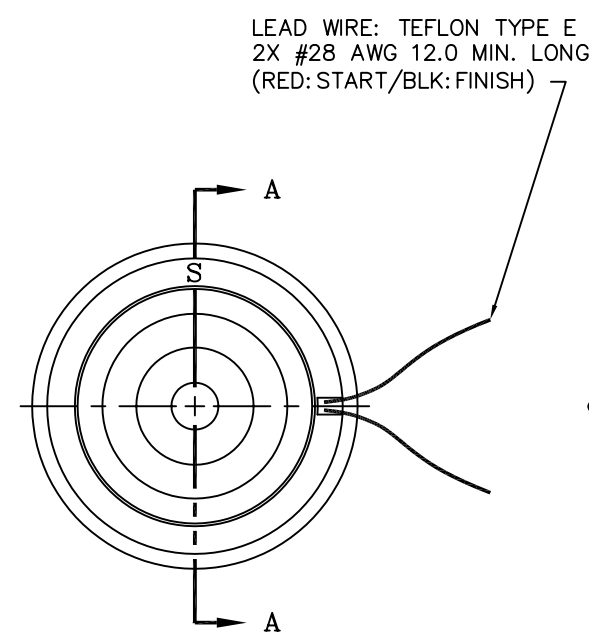
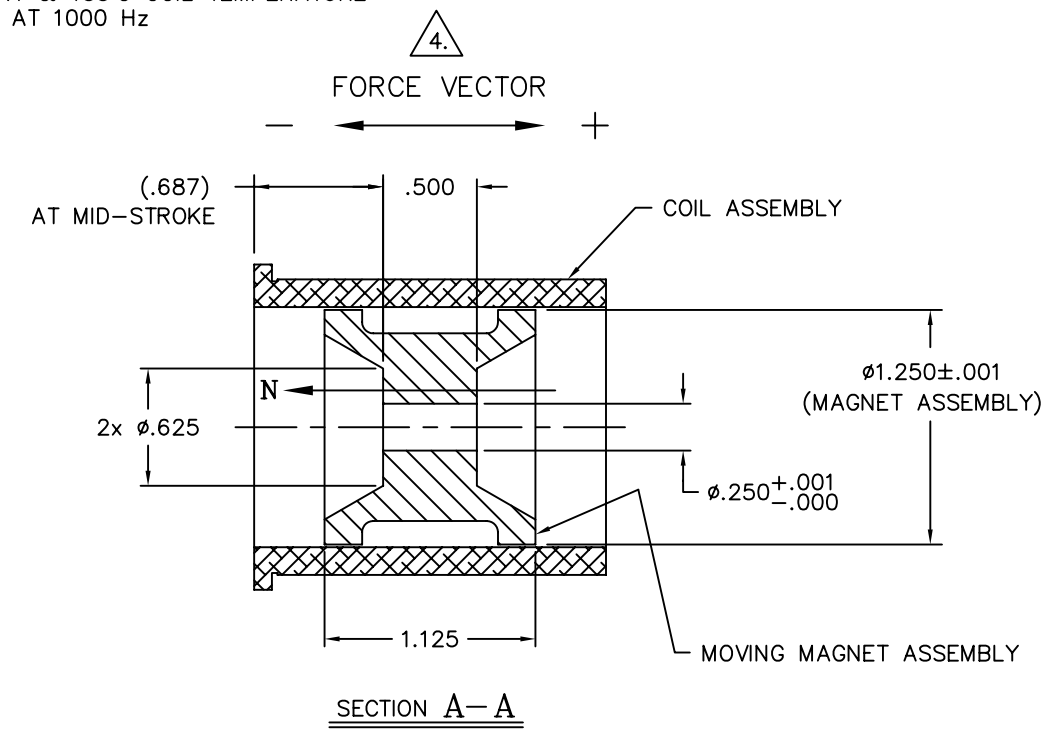
1

WINDING CONSTANTS *	UNITS	TOL	SYMBOL	WDG
DC RESISTANCE	OHMS	±12.5%	R	7.3
VOLTAGE @ F _p	VOLTS	NOMINAL	V _p	26.1
CURRENT @ F _p	AMPERES	NOMINAL	I _p	3.57
FORCE SENSITIVITY	LB/AMP	±10%	K _F	1.40
BACK EMF CONSTANT	V/FT/SEC	±10%	K _B	1.90
INDUCTANCE ****	MILLI-HENRY	±30%	L	2.6

LTR	ECO NO.	DESCRIPTION	DRN	APP'D	DATE
H	050657	MATCH BOM REV LEVEL	SLM	MG	10/07/05
I	060344	ADDED Rohs LOGO	RG	MG	05/11/06
J	070137	ADD SOUTH POLE MARK ON MAGNET ASSY	SLM	SH	02/28/07

ACTUATOR PARAMETERS *	UNITS	SYMBOL	VALUE
PEAK FORCE **	LB	F _p	5.0
CONTINUOUS STALL FORCE ***	LB	F _{CS}	2.1
ACTUATOR CONSTANT	LB/√WATT	K _A	0.52
ELECTRICAL TIME CONSTANT	MICRO-SEC	τ _E	356.0
MECHANICAL TIME CONSTANT	MILLI-SEC	τ _M	19.2
POWER I ² R @ F _p	WATTS	P _p	93.1
STROKE	± IN		0.25
NOMINAL RADIAL AIR GAP	IN		0.15
THERMAL RESISTANCE OF COIL	°C/WATT	θ _{TH}	3.6
MAX. ALLOWABLE COIL TEMP.	°C	TEMP	105
WEIGHT OF COIL ASSEMBLY	OZ	WT _C	4.4
WEIGHT OF FIELD ASSEMBLY	OZ	WT _F	3.6

* AT MID-STROKE & 25°C AMBIENT TEMPERATURE
 ** 10 SECONDS AT 25°C AMBIENT & 155°C COIL TEMPERATURE
 *** 25°C AMBIENT & 155°C COIL TEMPERATURE
 **** MEASURED AT 1000 Hz



4. A POSITIVE "+" VOLTAGE APPLIED TO THE RED LEAD WILL PRODUCE A FORCE ON THE MAGNET ASSEMBLY IN THE POSITIVE "+" DIRECTION (TOWARD LEADS).

3. ALL ABBREVIATIONS IAW MIL-STD-12.

2. INTERPRET DRAWING IAW MIL-STD-100.

1. INTERPRET DIMENSIONING AND TOLERANCING IAW ASME Y14.5M-1994.

NOTES: UNLESS OTHERWISE SPECIFIED

Proprietary rights of BEI Kimco are involved in the subject matter of this material and all manufacturing, reproduction, use, and sales pertaining to such subject matter are expressly reserved. This confidential and proprietary document is submitted for a specified purpose, and the recipient by accepting this material agrees that this material will not be used, copied, or reproduced in whole or in part nor its contents revealed in any manner or to any person except to meet the purpose for which it was delivered.

THIRD ANGLE PROJECTION

UNLESS OTHERWISE SPECIFIED:
 -ALL DIMENSIONS ARE IN INCHES
 -BREAK SHARP EDGES .015 MAX.
 -SURFACE ROUGHNESS √63
 -DIMENSIONS APPLY AFTER FINISH
 -MAX FILLET R .010

TOLERANCES:
 DECIMALS ANGULAR
 .X ± .03 ±0° 30'
 .XX ± .01
 .XXX ± .005

DO NOT SCALE DRAWING

BEI KIMCO MAGNETICS DIVISION
VISTA, CA 92081

DRAWN McGHEE	DATE 08/17/93	TITLE LINEAR ACTUATOR		
MECH CHECK P. STAHL	DATE 10/06/05	SIZE B	FSCM NO. 55789	DWG NO. LA16-19-001A
APPD A. MORCOS	DATE 08/19/93	SCALE 1/1	SHEET 1 OF 1	REV J
FILE NO. L:\TOP LEVEL\LA\...				



D

D

C

C

B

B

A

A

4

3

2

1