

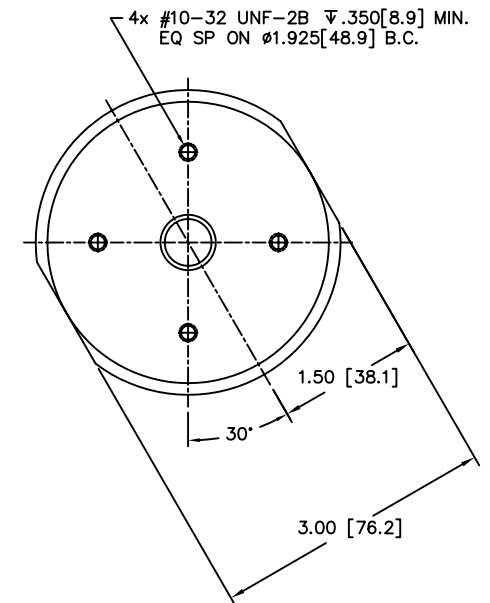
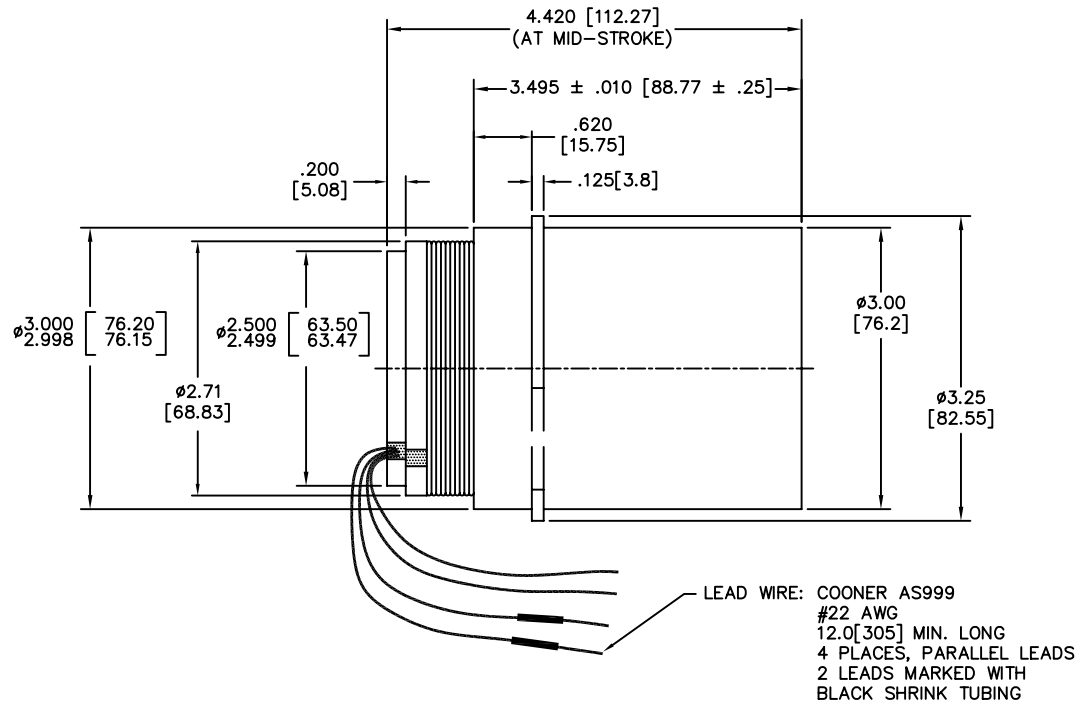
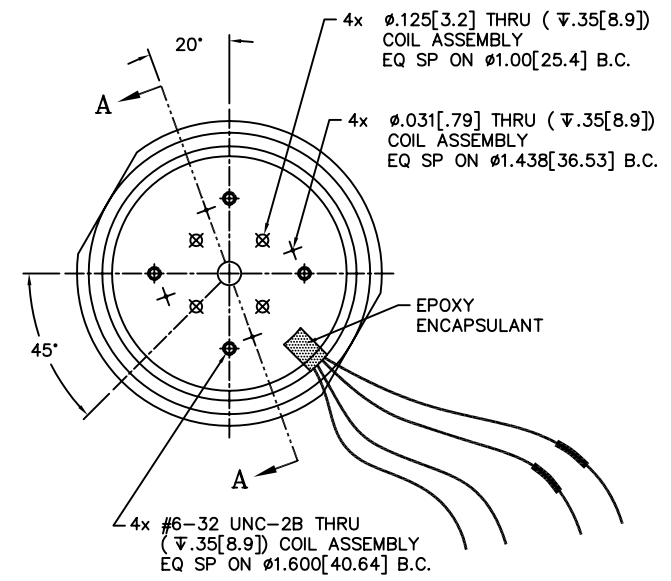
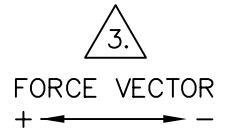
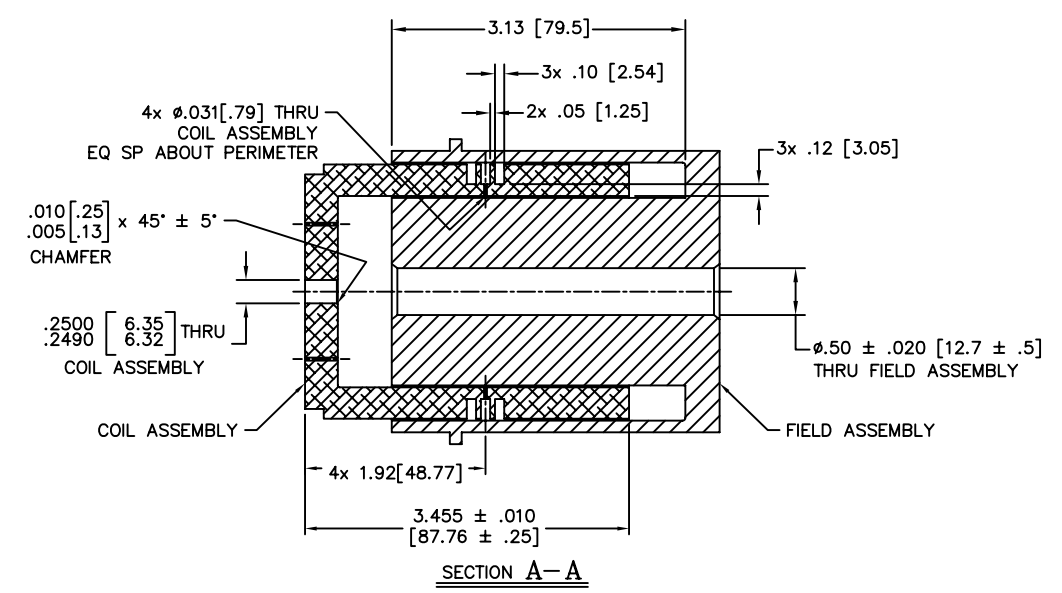
WINDING CONSTANTS *	UNITS	TOL	SYMBOL	WDG A
DC RESISTANCE	OHMS	±12.5%	R	2.6
VOLTAGE @ F _p	VOLTS	NOMINAL	V _p	33.0
CURRENT @ F _p	AMPERES	NOMINAL	I _p	12.7
FORCE SENSITIVITY	LB/AMP	±10%		7.9
	N/AMP	±10%	K _F	35.14
BACK EMF CONSTANT	V/FT/SEC	±10%		10.71
	V/M/SEC	±10%	K _B	35.14
INDUCTANCE ****	MILLI-HENRY	±30%	L	2.9

ACTUATOR PARAMETERS *	UNITS	SYMBOL	VALUE
PEAK FORCE **	LB	F _p	100
	N		445
CONTINUOUS STALL FORCE ***	LB	F _{cs}	41.6
	N		185.0
ACTUATOR CONSTANT	LB/√WATT	K _A	4.9
	N/√WATT		21.8
ELECTRICAL TIME CONSTANT	MILLI-SEC	τ _E	1.12
MECHANICAL TIME CONSTANT	MILLI-SEC	τ _M	1.53
POWER I ² R @ F _p	WATTS	P _p	419
STROKE	± INCHES		0.500
	± MM		12.7
CLEARANCE ON EACH SIDE OF COIL	IN		0.02
	MM		0.51
THERMAL RESISTANCE OF COIL	°C/WATT	θ _{TH}	1.2
MAX. ALLOWABLE COIL TEMP.	°C	TEMP	155
WEIGHT OF COIL ASSEMBLY	LB	WT _C	1.60
	G		726
WEIGHT OF FIELD ASSEMBLY	LB	WT _F	4.17
	KG		1.9

* AT MID-STROKE & 25° AMBIENT TEMPERATURE
 ** 10 SECONDS AT 25°C AMBIENT & 155°C COIL TEMPERATURE
 *** 25°C AMBIENT & 155°C WINDING TEMPERATURE
 **** MEASURED AT 1000 Hz

FSCM NO.		DRAWING NO.		SHEET		REV	
55789		LA30-43-000A		1		E	

REVISIONS						
ZONE	REV	DCN NO.	DESCRIPTION	INITIALS	DATE	APPROVED
C	045018		MATCH DWG. REV. TO AVANTE	JJC	10/20/04	MG
D	060277		ADD RoHS LOGO	SLM	04/03/06	MG
E	070163		UPDATE PARAMETERS	SLM	03/14/07	MG



- MECHANICAL OVERTRAVEL IN THE NEGATIVE (-) DIRECTION IS .050 [1.27] MINIMUM.
 - INSULATION RESISTANCE IS 100 MEGOHMS MINIMUM AT 500 VDC.
 - A POSITIVE (+) VOLTAGE APPLIED TO THE MARKED LEADS WILL PRODUCE A FORCE ON THE COIL ASSEMBLY IN THE POSITIVE (+) DIRECTION.
 - DIMENSION IN BRACKETS ARE MILLIMETERS [MM] AND ARE FOR REFERENCE ONLY.
 - INTERPRET DIMENSIONS & TOLERANCES PER ASME Y14.5M-1994.
- NOTES: UNLESS OTHERWISE SPECIFIED

THIRD ANGLE PROJECTION	UNLESS OTHERWISE SPECIFIED: -ALL DIMENSIONS ARE IN INCHES -DIMENSIONS ARE AFTER FINISH DO NOT SCALE DRAWING		
	TOLERANCES: DECIMALS ANGULAR .X ± 0.03 ± 0°30' .XX ± 0.01 .XXX ± 0.005	BEI KIMCO MAGNETICS DIVISION VISTA, CA 92081	
THIS DOCUMENT CONTAINS PROPRIETARY INFORMATION AND IS THE PROPERTY OF BEI/KIMCO MAGNETICS DIVISION. IT MAY NOT BE REPRODUCED WITHOUT BEI/KIMCO MAGNETICS DIVISION WRITTEN PERMISSION OR USED FOR OTHER THAN AUTHORIZED PURPOSES.	APPROVALS DATE DRAWN: N. FRENCH 5/22/98 CHECKED: GUERRERO 12/20/04 APPROVED: A. MORCOS 5/22/98	TITLE: LINEAR ACTUATOR	
	SIZE: FSCM NO. DRAWING NO. REV D 55789 LA30-43-000A E	SCALE: 1/1 SHEET: 1 OF 1	