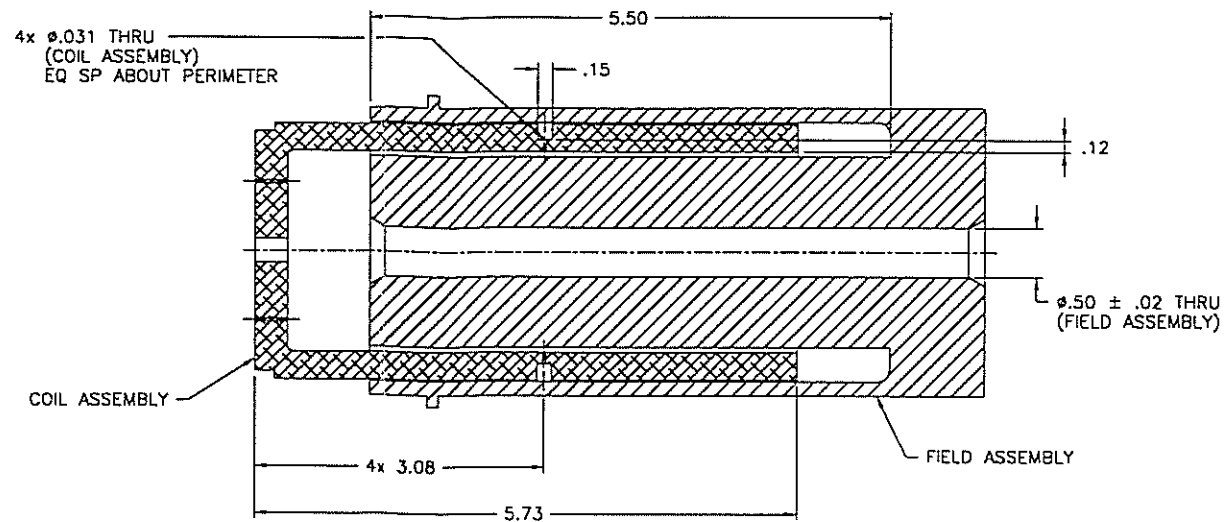


WINDING CONSTANTS	UNITS	SYM	WDC Z	TOL
DC RESISTANCE	OHMS	R	2.8	±12.5%
VOLTAGE • FORCE 100 LB	VOLTS	Vc	41.8	NOMINAL
CURRENT • FORCE 100 LB	AMPERES	Ic	14.9	NOMINAL
FORCE SENSITIVITY • MID-STROKE	LB/AMP	Kf	6.7	±10%
BACK EMF CONSTANT • MID-STROKE	VOLTS/(FT/SEC)	Kb	9.1	±10%
INDUCTANCE	MILLI-HENRY	L	3.0	±30%

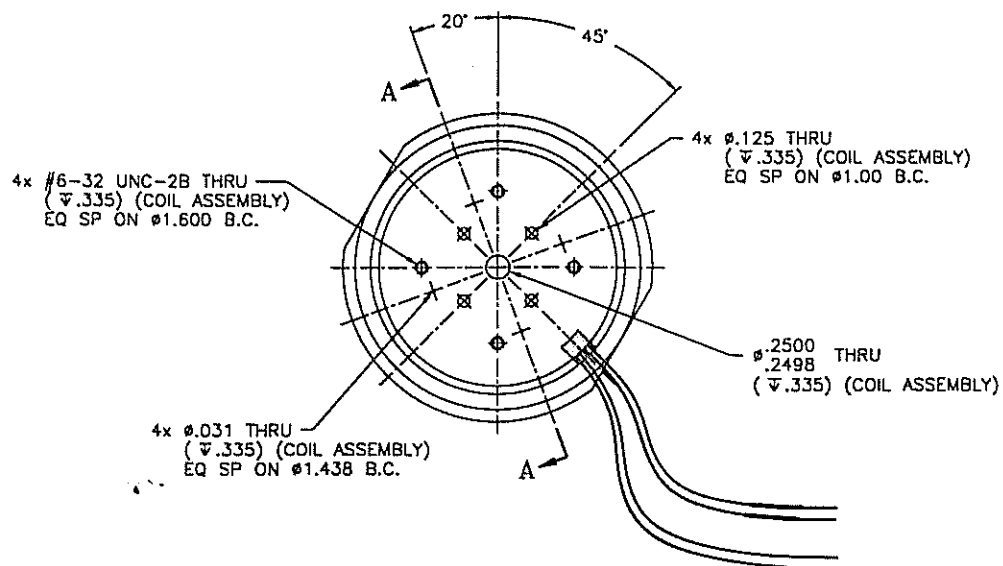
LINEAR ACTUATOR PARAMETERS	UNITS	SYM	VALUE
PEAK FORCE *	LB	Fp	100
CONTINUOUS STALL FORCE **	LB	Fcs	30.4
ACTUATOR CONSTANT	LB/√WATT	Ka	4.00
ELECTRICAL TIME CONSTANT	MICRO-SEC	Te	1070
MECHANICAL TIME CONSTANT	MILLI-SEC	Tm	3.6
POWER I ² R • FORCE 100 LB	WATTS	P	624
STROKE	± IN		0.750
CLEARANCE ON EACH SIDE OF COIL	IN		0.02
THERMAL RESISTANCE OF COIL ***	°C/WATT	θth	1.5
MAX ALLOWABLE TEMP OF COIL	°C	TEMP	155
WEIGHT OF COIL ASSEMBLY	LB	WTc	2.50
WEIGHT OF FIELD ASSEMBLY	LB	WTF	8.4

* 10 SEC @ 25°C AMBIENT, 155°C COIL TEMP
 ** 25°C AMBIENT, 155°C COIL TEMP
 *** ACTUATOR MOUNTED ON TEST FIXTURE, COIL AT MID-STROKE, IN STILL AIR

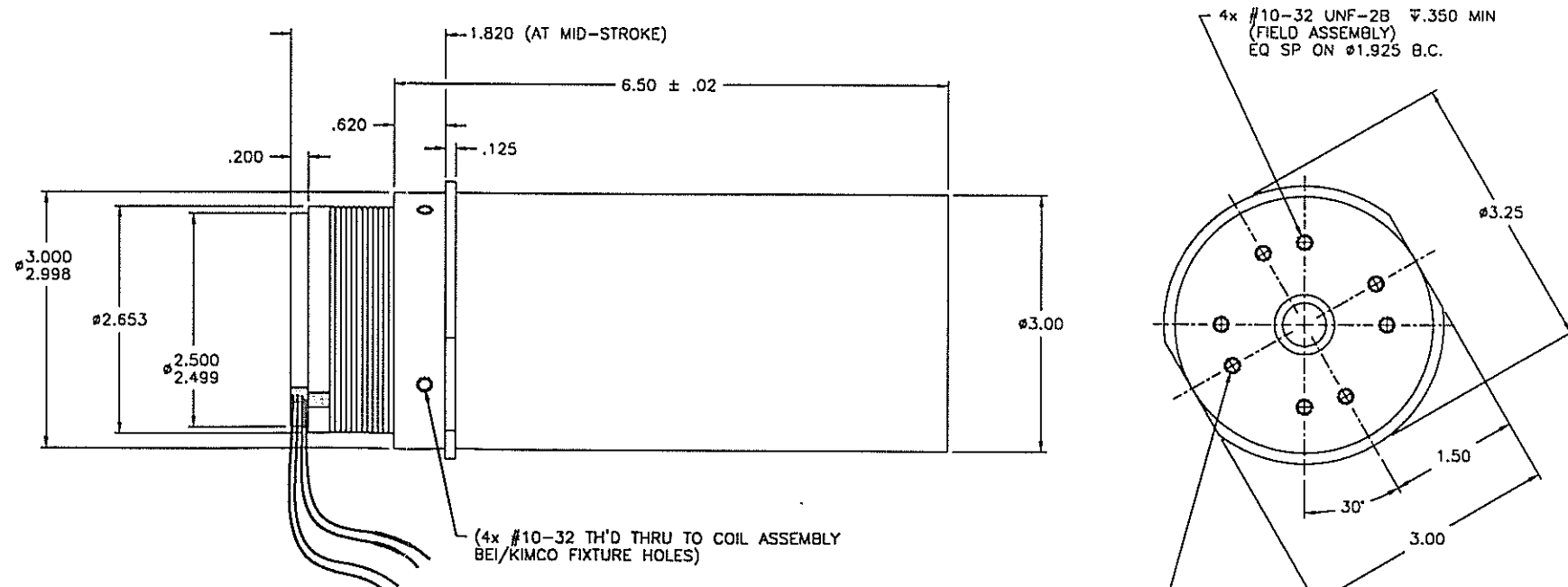
REV	DCN NO.	DESCRIPTION	DRN	APP'D	DATE



SECTION A-A



LEAD WIRE: COONER AS-999
 #22 AWG
 12.0 MIN LONG
 4 PL. PARALLEL LEADS
 2 LEADS MARKED WITH BLACK SHRINK TUBING



4x #10-32 UNF-2B ∅.350 MIN (FIELD ASSEMBLY) EQ SP ON ∅1.925 B.C.

1. A POSITIVE (+) VOLTAGE APPLIED TO THE MARKED LEADS WILL PRODUCE A FORCE ON THE COIL ASSEMBLY IN THE POSITIVE (+) DIRECTION.

2. MECHANICAL OVERTRAVEL IN THE NEGATIVE (-) DIRECTION IS .050 MINIMUM.

3. INSULATION RESISTANCE: 100 MEGOHMS MINIMUM AT 500 VDC.

4. INTERPRET DIMENSIONS & TOLERANCES PER ANSI Y14.5M-1982.

NOTES: UNLESS OTHERWISE SPECIFIED

U.S. PATENT NO.
 5,345,206

DO NOT SCALE DRAWING UNLESS OTHERWISE SPECIFIED: DIMENSIONS ARE IN INCHES TOLERANCES ARE ANGULAR = ± 30° .X = ± .03 .XX = ± .01 .XXX = ± .005

SIZE D	FSCM NO. 55789	BEI KIMCO MAGNETICS DIVISION SAN MARCOS, CA 92089
TITLE: LINEAR ACTUATOR	DWG NO: LA30-77-000A	DRN: N. FRENCH 11/13/98
SCALE: 1/1	SHT 1 OF 1	APP'D: [Signature] 11/13/98

FILE COPY

ORIGINAL